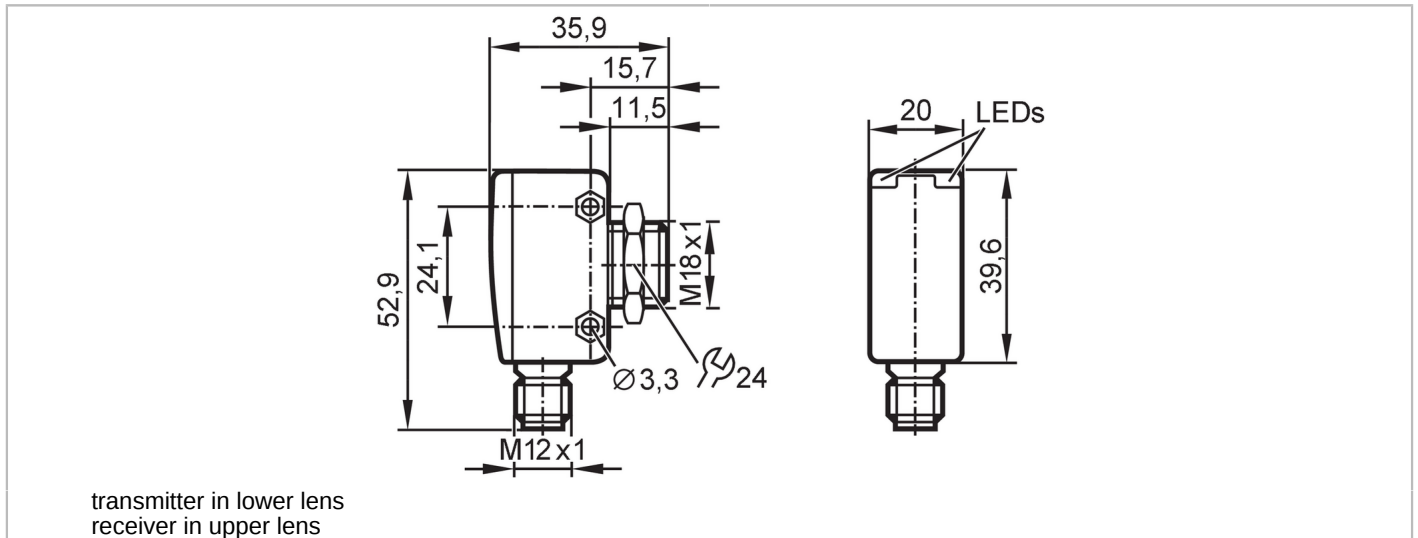


OGH381



Diffuse reflection sensor with background suppression

OGH-HPKG/US/V4A/CUBE/200MM



Product characteristics	
Type of light	red light
Housing	rectangular with M18 thread
Application	
Special feature	Background suppression
Function principle	Diffuse reflection sensor
Application	food and beverage industry
Electrical data	
Operating voltage [V]	10...30 DC
Rated insulation voltage [V]	32
Current consumption [mA]	25
Protection class	III
Reverse polarity protection	yes
Max. power-on delay time [ms]	300
Type of light	red light
Wave length [nm]	645
Outputs	
Electrical design	PNP
Output function	light-on mode
Max. voltage drop switching output DC [V]	2.5
Permanent current rating of switching output DC [mA]	200
Switching frequency DC [Hz]	1000
Short-circuit protection	yes
Type of short-circuit protection	pulsed
Detection zone	
Range [mm]	< 200; (white paper 200 x 200 mm 90% remission)



Diffuse reflection sensor with background suppression

OGH-HPKG/US/V4A/CUBE/200MM

Range on white object (90 % remission) [mm]	< 200
Range on grey object (18 % remission) [mm]	< 200
Range on black object (6 % remission) [mm]	< 190
Range adjustable	no
Max. light spot diameter [mm]	13
Light spot dimensions refer to	at maximum range
Background suppression available	yes

Interfaces

Communication interface	IO-Link	
Transmission type	COM2 (38,4 kBaud)	
IO-Link revision	1.1	
SDCI standard	IEC 61131-9	
Profiles	Smart Sensor - SSP 3.1	Measuring Sensor
	Common - I&D	Identification and Diagnosis
	Function	Multiple switching signal
	Function	Teach channel
SIO mode	yes	
Required master port type	A	
Min. process cycle time [ms]	10	
IO-Link process data (cyclical)	function	bit length
	process value	16
	device status	4
	binary switching information	1
IO-Link functions (acyclical)	application specific tag; operating hours counter; switching cycles counter	
Supported DeviceIDs	Type of operation	DeviceID
	default	1132
Note	For further information please see the IODD PDF file under "Downloads"	

Operating conditions

Ambient temperature [°C]	-25...80
Storage temperature [°C]	-40...80
Protection	IP 65; IP 67; IP 68; IP 69K

Tests / approvals

EMC	EN 60947-5-2	
MTTF [years]	782	
UL approval	Ta	-25...80 °C
	Enclosure type	Type 1
	voltage supply	Class 2
	File number UL	E174191

Mechanical data

Weight [g]	77.5
Housing	rectangular with M18 thread
Dimensions [mm]	52.9 x 20 x 35.9
Thread designation	M18 x 1

OGH381



Diffuse reflection sensor with background suppression

OGH-HPKG/US/IV4A/CUBE/200MM

Materials	housing: stainless steel (630/1.4542/17-4 PH); rear of the housing: PEI
Lens material	front pane:PEI
Lens alignment	side lens

Displays / operating elements

Display	switching status	1 x LED, yellow
	operation	1 x LED, green

Accessories

Items supplied	lock nut: 1
----------------	-------------

Remarks

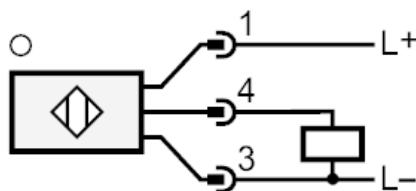
Pack quantity	1 pcs.
---------------	--------

Electrical connection

Connector: 1 x M12; coding: A; Contacts: 4



Connection



OGH381



Diffuse reflection sensor with background suppression

OGH-HPKG/US/IV4A/CUBE/200MM

Other data

Repeatability / precision: 6 σ

	repeatability of the measured values	
Abstand	white (90 % remission)	black (6 %...90 % remission)
20 mm	0.5 mm	1.0 mm
50 mm	0.8 mm	2.0 mm
100 mm	1.5 mm	4.5 mm
150 mm	3.0 mm	9.0 mm
200 mm	6.0 mm	20.0 mm
	accuracy	
Abstand	white (90 % remission)	black (6 %...90 % remission)
20 mm	± 2.0 mm	± 2.5 mm
50 mm	± 3.5 mm	± 4.5 mm
100 mm	± 6.0 mm	± 7.5 mm
150 mm	± 7.5 mm	± 11.0 mm
200 mm	± 10.0 mm	± 17.0 mm

The values apply at

Extraneous light on the object

< 10 klx

constant ambient conditions

23 °C / 960 hPa

minimum power-on time in minutes

10