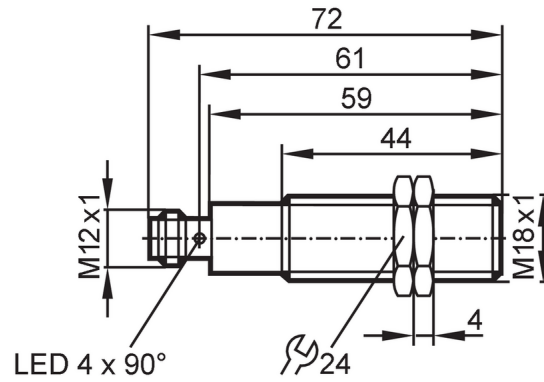




Diffuse reflection sensor with background suppression

OGH-HPKG/US100



transmitter in lower lens
receiver in upper lens



Product characteristics

| | |
|---------------|---------------|
| Type of light | red light |
| Housing | threaded type |

Application

| | |
|--------------------|----------------------------|
| Special feature | Background suppression |
| Function principle | Diffuse reflection sensor |
| Application | food and beverage industry |

Electrical data

| | |
|-----------------------------|------------|
| Operating voltage [V] | 10...36 DC |
| Current consumption [mA] | 25 |
| Protection class | II |
| Reverse polarity protection | yes |
| Type of light | red light |
| Wave length [nm] | 624 |

Outputs

| | |
|--|-----------------------|
| Electrical design | PNP |
| Output function | light-on mode |
| Max. voltage drop switching output DC [V] | 2.5 |
| Permanent current rating of switching output DC [mA] | 150; (200 (...60 °C)) |
| Switching frequency DC [Hz] | 1000 |
| Short-circuit protection | yes |
| Type of short-circuit protection | pulsed |
| Overload protection | yes |

Detection zone

| | |
|---|---|
| Range [mm] | < 200; (white paper 200 x 200 mm 90% remission) |
| Range on white object (90 % remission) [mm] | < 200 |
| Range on grey object (18 % remission) [mm] | < 200 |

OGH302



Diffuse reflection sensor with background suppression

OGH-HPKG/US100

| | |
|--|-------|
| Range on black object (6 % remission) [mm] | < 190 |
| Range adjustable | no |
| Max. light spot diameter [mm] | 17 |
| Light spot dimensions refer to | Range |
| Background suppression available | yes |

Operating conditions

| | |
|--------------------------|-----------------------------|
| Ambient temperature [°C] | -25...80 |
| Protection | IP 65; IP 67; IP 68; IP 69K |

Tests / approvals

| | |
|--------------|--------------|
| EMC | EN 60947-5-2 |
| MTTF [years] | 372 |

Mechanical data

| | |
|--------------------|---|
| Weight [g] | 59.3 |
| Housing | threaded type |
| Dimensions [mm] | M18 x 1 / L = 72 |
| Thread designation | M18 x 1 |
| Materials | housing: stainless steel (316L/1.4404); Sealing: EPDM |
| Lens material | front pane:PMMA |

Displays / operating elements

| | | |
|---------|------------------|-----------------|
| Display | switching status | 1 x LED, yellow |
|---------|------------------|-----------------|

Accessories

| | |
|----------------|--------------|
| Items supplied | lock nuts: 2 |
|----------------|--------------|

Remarks

| | |
|---------------|---|
| Remarks | operating voltage "supply class 2" according to cULus |
| Pack quantity | 1 pcs. |

Electrical connection

Connector: 1 x M12; coding: A; Contacts: 4



Connection

